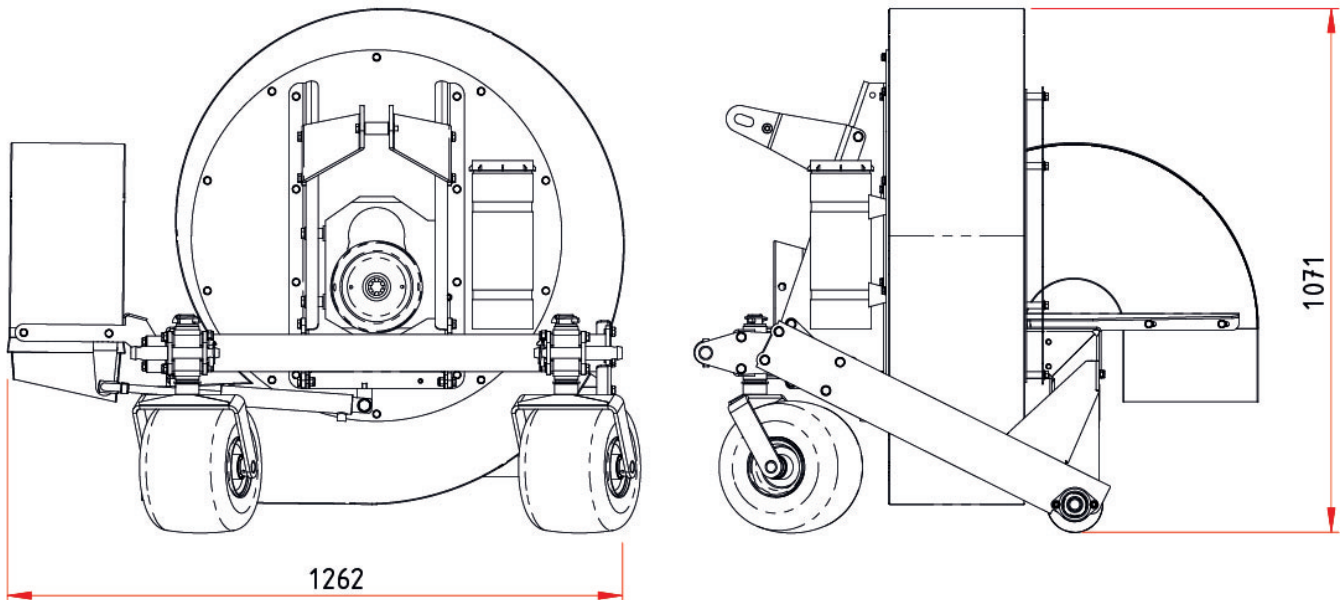


## B7 Blowers



Measures are in mm

### Technical specifications

Fan diameter:	Ø 650 mm (25.5")
Number of fan blades:	10
PTO output:	> 30 pk (22 KW)
Castor wheels:	11 x 7.00-4
PTO:	540 RPM
Drive:	Power take-off
Three point hitch:	Cat I-II
Required hydraulics:	120 bar - 15 l/min.
Required hydraulic connections:	1 x double acting
Weight:	215 kg (474 lb)
Measurements (LxWxH):	1,20 x 1,40 x 1,25 m (3.9 x 4.6 x 4.1 ft)
Air capacity:	300 m <sup>3</sup> /min.
Noise level:	96 dB(A)
Transport dimensions:	260 kg (573 lb) LxWxH: 134 x 123 x 122 cm

Under our policy of continuous improvement, we reserve the right to change specifications and design without prior notice. The illustrations do not necessarily show the standard version of the machine. Not all products are available in all countries.



## BL400 Blowers

