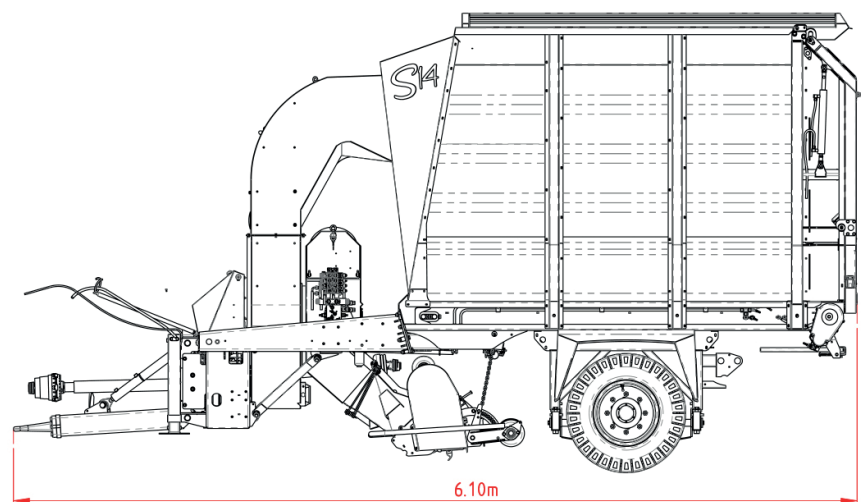
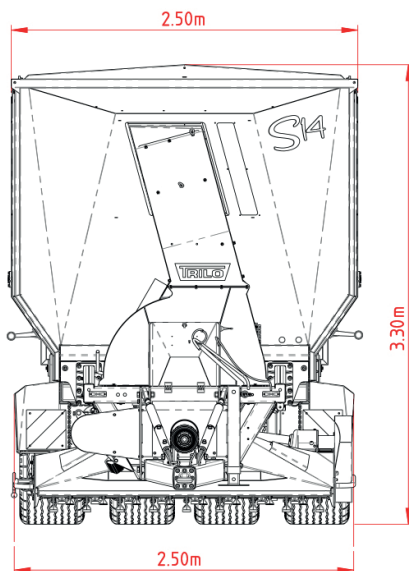




S14 - S16 - S20 - Extra Large cut & collect vacuum sweepers

Technical specifications

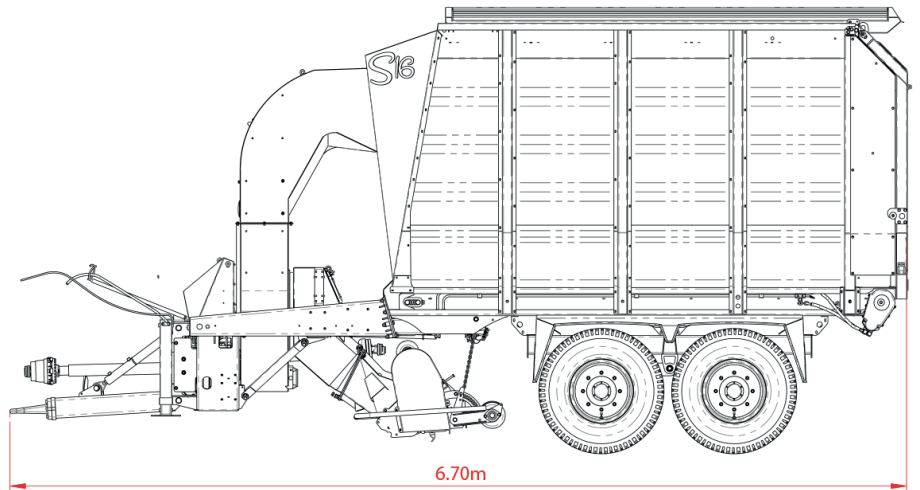
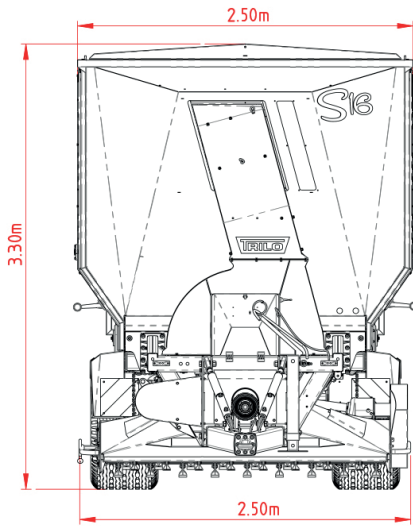
Fan diameter:	Ø 960mm
Number of fan blades:	6
PTO output:	90 - 130 hp (66 - 96 kW) - <i>Depending on the circumstances.</i>
PTO:	540/750/1000 RPM
Drive:	Power take-off
Required hydraulics:	180 bar - 40 l/min.
Required hydraulic connections:	2x double acting minimum
Weight:	depending on configuration
Measurements (LxWxH):	depending on configuration
Air capacity:	390 m ³ /min.
Noise level:	85 dB(A)
Loading capacity:	14-16-20 m ³
Wander hose:	Ø 250 - 5 +1 m
Suction hose:	Ø 350 mm - 4 m
Working width	180-210-240-300 cm
Tyres:	505/50R17 or 435



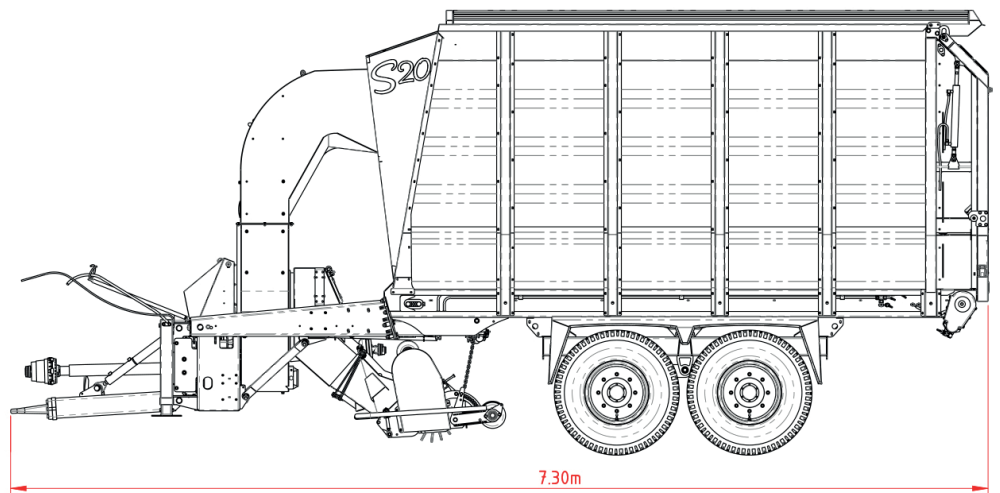
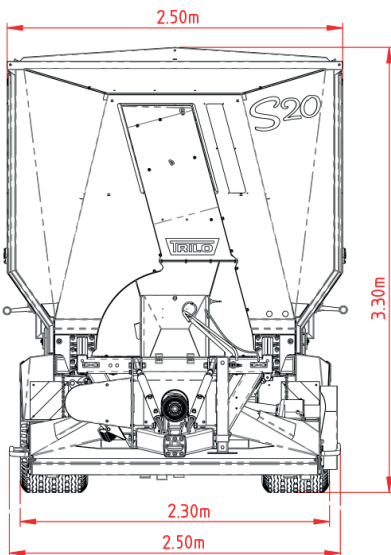
Under our policy of continuous improvement, we reserve the right to change specifications and design without prior notice. The illustrations do not necessarily show the standard version of the machine.

TRILO[®]

S14 - S16 - S20 - Extra Large cut & collect vacuum sweepers

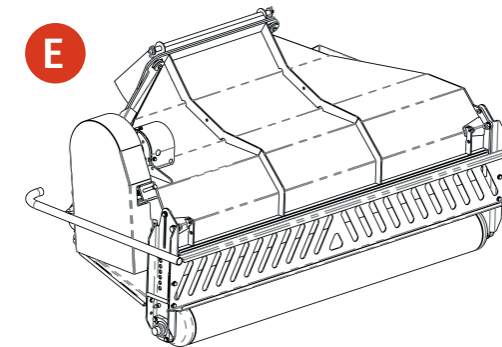
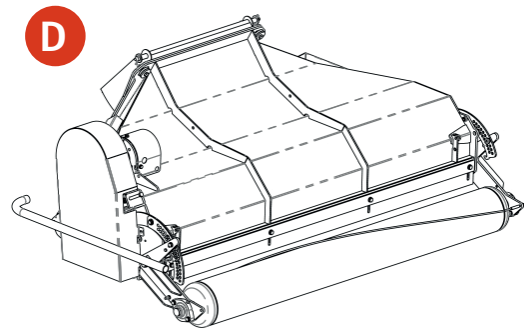
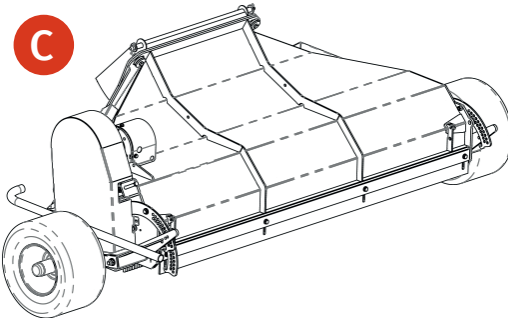
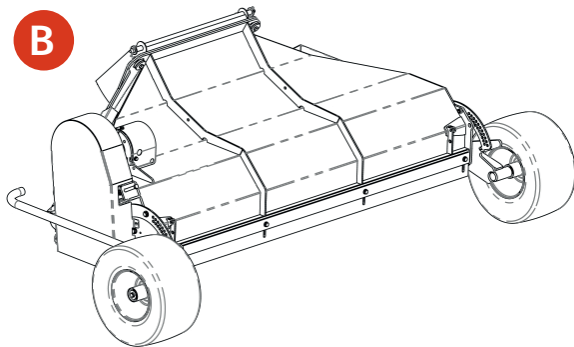
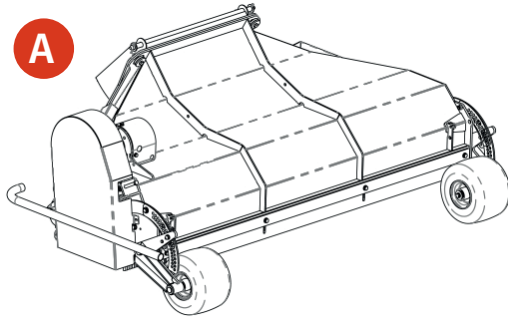


S16 16m³



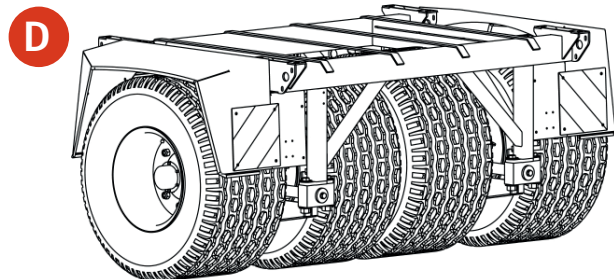
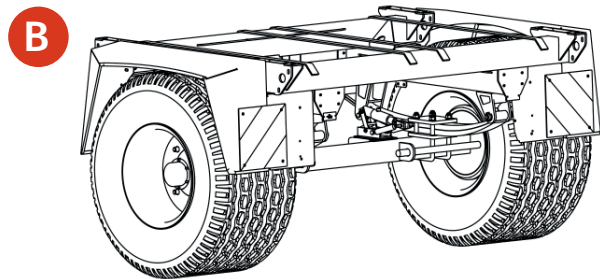
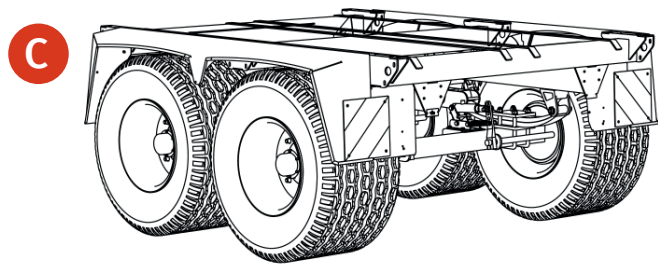
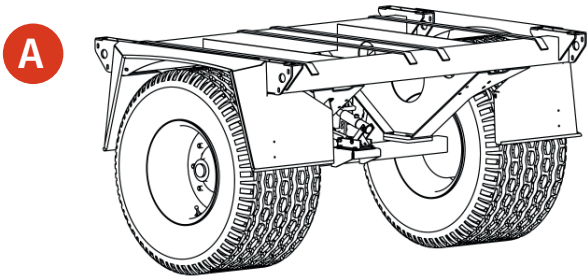
S20 20m³

Suction hood width S14 - S16 - S20



Type	Roller/Tyre	Tyre Type	Height range	Working width - Overall width				Field of application
				1.80 m	2.10 m	2.40 m	3.00 m	
A	11 x 7.00 (Default)	Air or Foam Filled Tyre	-5.13 cm	2.20 m	2.50 m	2.80 m	3.40 m	General, Road use, Offroad, Compact
B	18 x 9.50 (Slick)	Air or Foam Filled Tyre	-5.15 cm	2.46 m	2.76 m	3.06 m	3.66 m	Turf Production Wide Area Collector
C	16 x 9.50	Air or Foam Filled Tyre	-5.10 cm	2.65 m	2.95 m	3.25 m	3.85 m	Golf course
D	Roller (Default)	Steel	-5.15 cm	2.20 m	2.50 m	2.80 m	3.40 m	Mowing
E	Roller (High cut)	Steel	9..20 cm	2.20 m	2.50 m	2.80 m	3.40 m	(Mowing high cut)

Undercarriage overview S14 - S16 - S20



Bogie Type	A	B	C	D
Overall Width	Single 2.00 m	Single 2.30 m	Tandem 2.30 m	Pendling 2.50 m
Parabolic Spring	-	●	●	●
Dual Air Brakes	●	●	●	●
Dual Hydraulic Brakes	●	●	●	●
Single Hydraulic Brakes	●	●	●	●
Overrun Brakes	●	●	-	-
Lawn Tyres 500/50R17	●	●	●	●
Ridemax 500/50R17 Tyres	●	●	●	●
Marathon 435/50R19 Tyres	●	●	●	-
Available on model:				
S8	●	●	-	-
S10	●	●	●	●
S12	-	●	●	●
S14	-	●	-	●
S16	-	-	●	●
S20	-	-	●	●