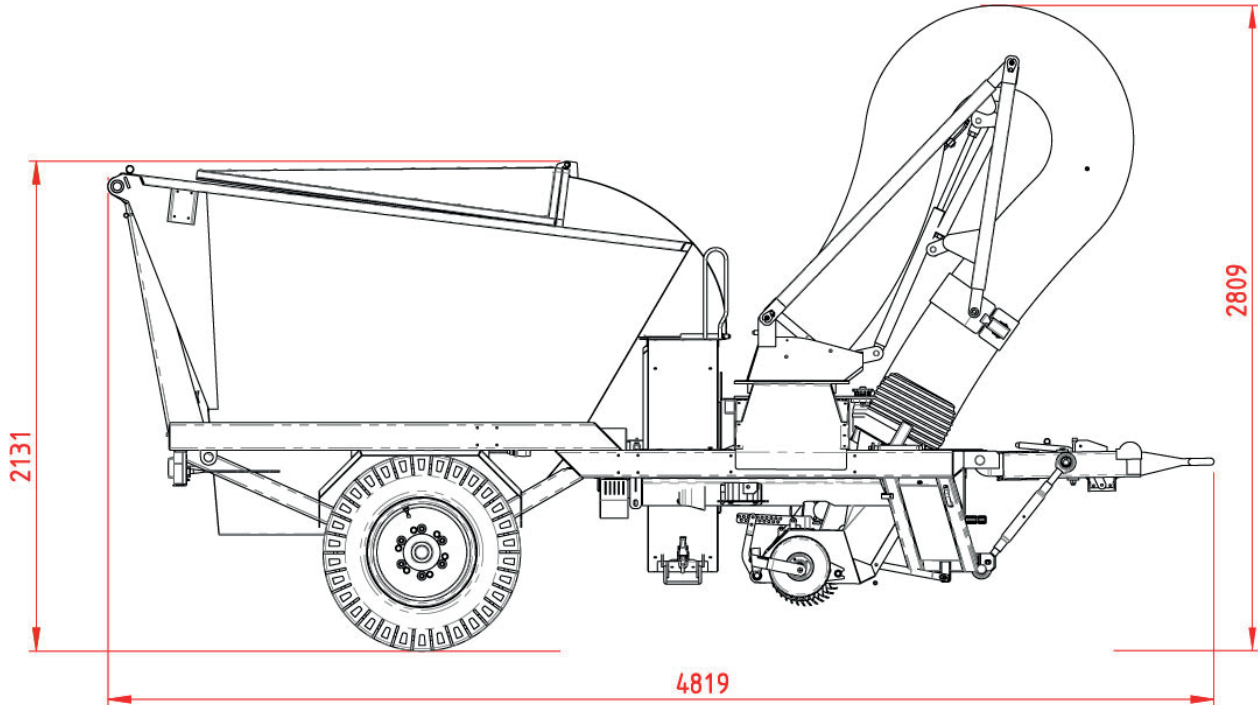


TRILO

SG450 Vacuum Sweepers



Measures are in mm

Technical specifications

Fan diameter:	Ø 850 mm (33.5")
Number of fan blades:	5
PTO output:	> 45 pk (33 kW)
PTO:	540 RPM
Drive:	Power take-off
Required hydraulics:	180 bar - 40 l/min.
Required hydraulic connections:	1 x single acting, 1 x double acting
Weight:	1350 kg (2976 lb)
Measurements (LxBxH):	4,82 x 1,89 x 2,81 m (15.8 x 6.2 x 9.2 ft)
Air capacity:	315 m ³ /min.
Noise level:	85 dB(A)
Loading capacity:	4,5 m ³ (5.9 yd ³)
Wander hose:	Ø 200 mm (7.8"), length 5 + 1 meter (16.4 + 3.28 ft)
Suction hose:	Ø 350 mm (13.77"), length 4 meter (13 ft)
Working width:	1,50 m (4.9 ft)
Tyres:	15x17 of 19x17/8 PLY

Under our policy of continuous improvement, we reserve the right to change specifications and design without prior notice. The illustrations do not necessarily show the standard version of the machine.

TRILO[®]

SG450 Vacuum Sweepers

