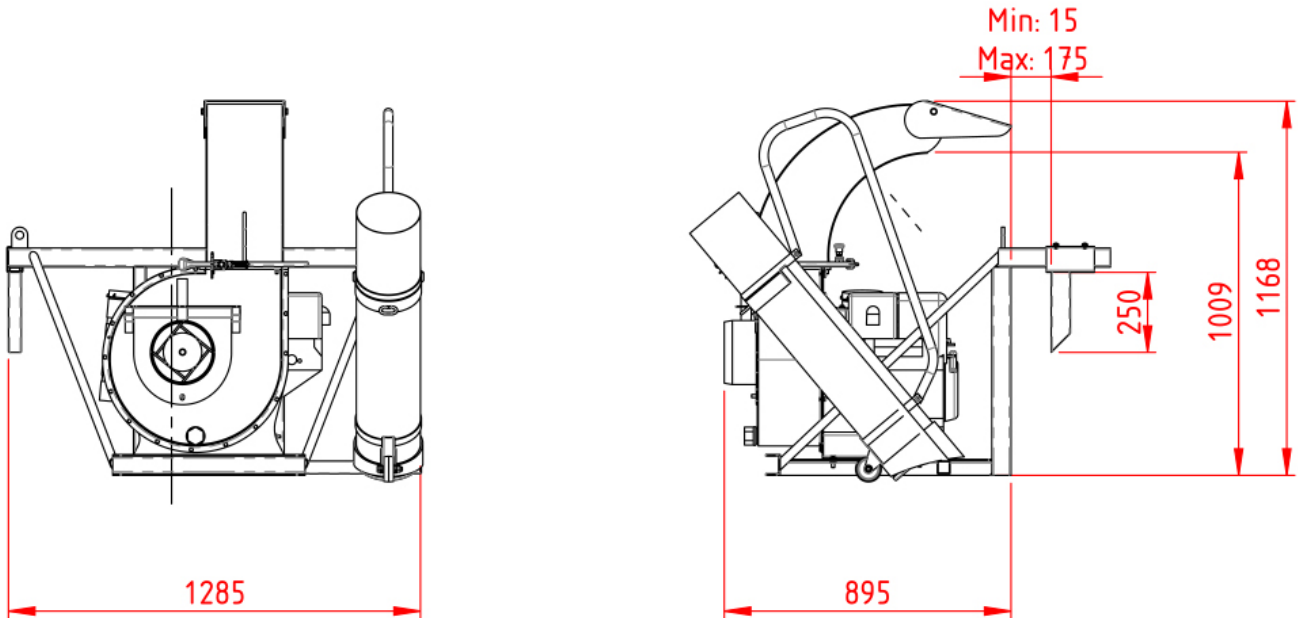


SU40T Compact vacuum units



Measures are in mm

Technical specifications

Fan diameter:	Ø 400 mm
Number of fan blades:	4
Drive:	fan belt
Weight:	175 kg
Measurements (LxWxH):	0,90 x 1,29 x 1,17 m
Engine:	Honda GXV340 (recoil)
Air capacity:	180m ³ /min.
Noise level:	106 dB(A)
Wander hose:	Ø 200 mm with 5 meter radius

Under our policy of continuous improvement, we reserve the right to change specifications and design without prior notice. The illustrations do not necessarily show the standard version of the machine. Not all products are available in all countries.