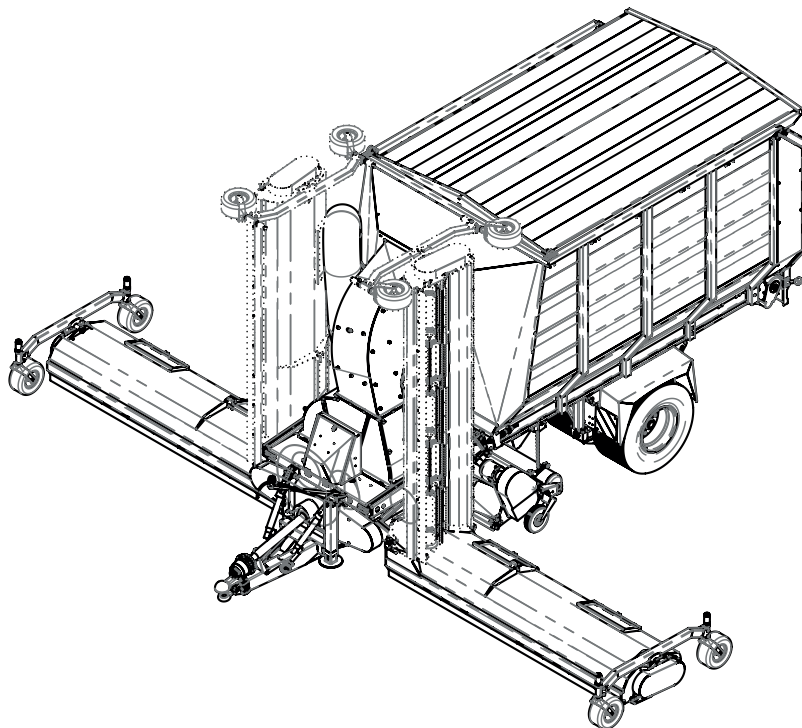


## Large vacuum sweepers with wings S10w - S16w



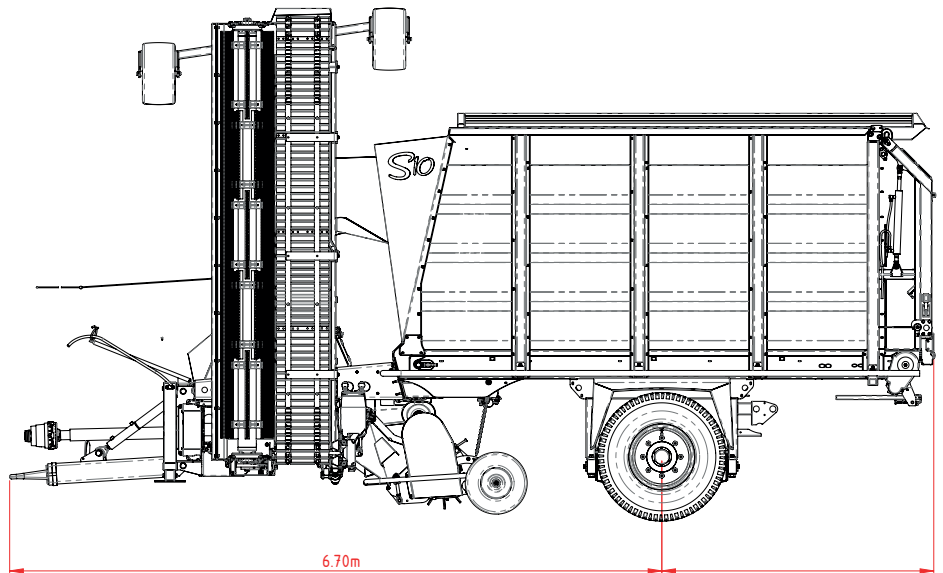
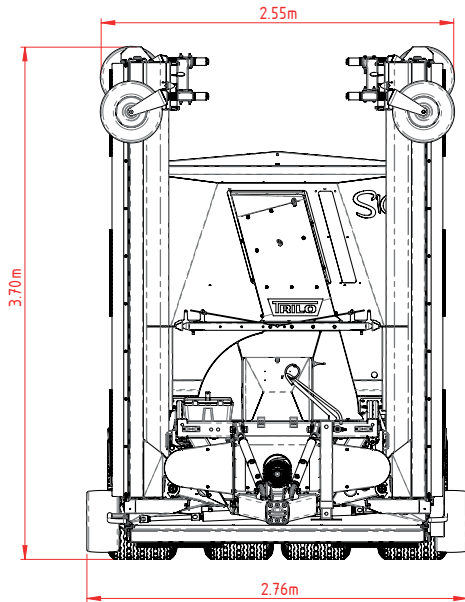
### Technical specifications

Fan diameter:	Ø 960 mm (37.79")
Number of fan blades:	6
PTO output:	90 - 110 hp (66 - 81 KW)
PTO:	540/750/1000 RPM
Drive:	Power take-off
Required hydraulics:	180 bar - 40 l/min.
Required hydraulic connections:	2x double acting minimum
Weight:	depending on configuration
Air capacity:	390 m <sup>3</sup> /min.
Noise level:	85 dB(A)
Loading capacity:	10 - 12 - 14 - 16 m <sup>3</sup>
Working width	6 - 8 m
Tyres:	505/50R17 or 435

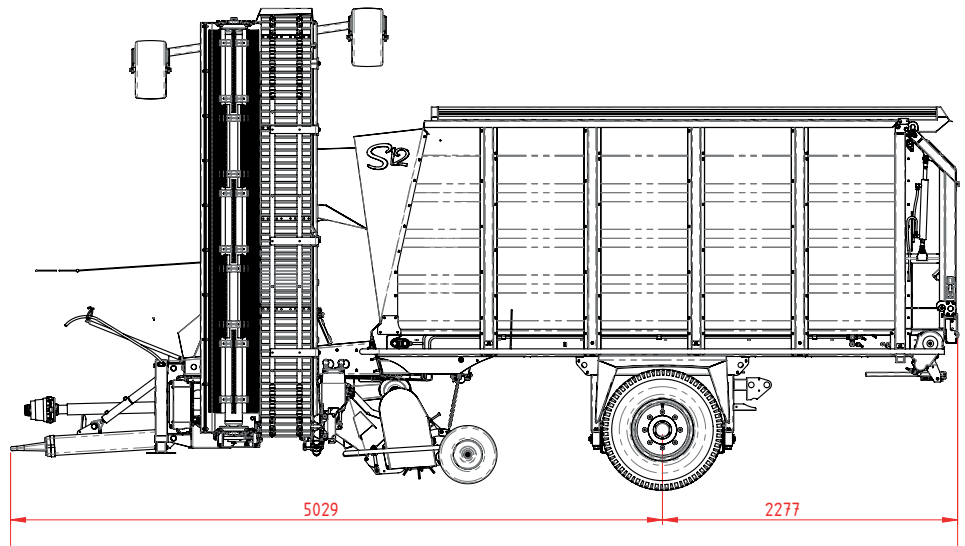
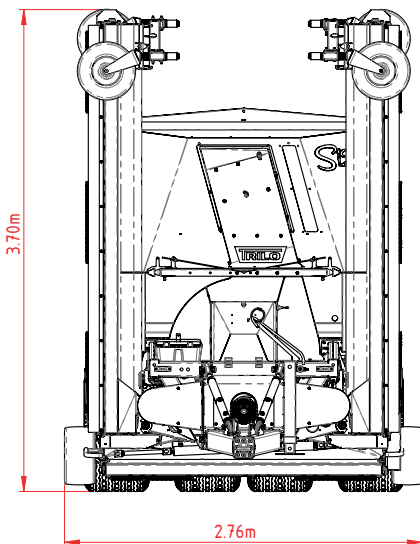
Under our policy of continuous improvement, we reserve the right to change specifications and design without prior notice. The illustrations do not necessarily show the standard version of the machine. Not all products are available in all countries.

**TRILO**<sup>®</sup>

## Large vacuum sweepers with wings S10w - S16w



10 m<sup>3</sup>



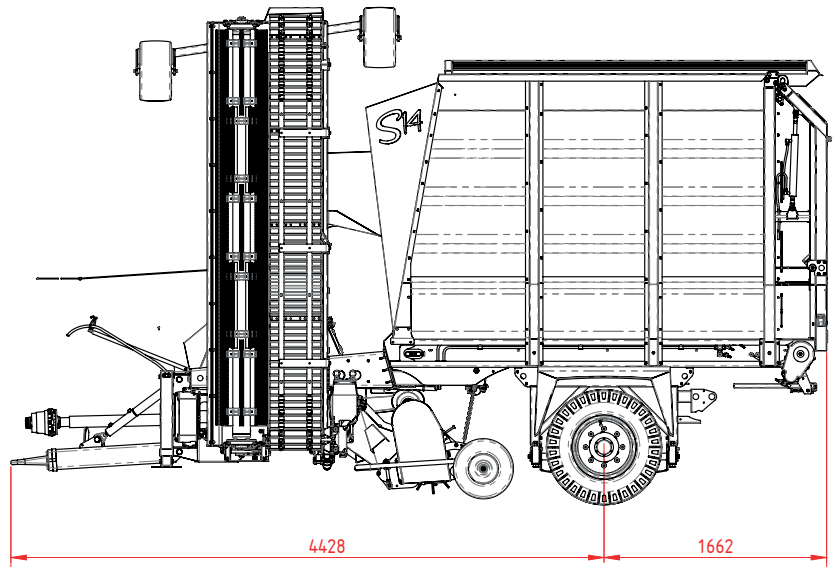
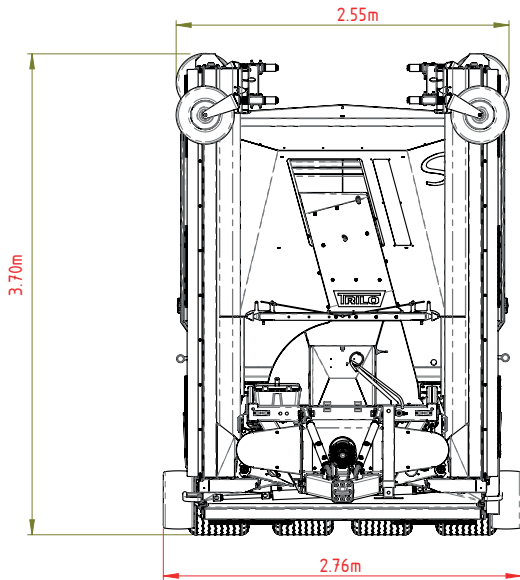
Measures are in mm

12 m<sup>3</sup>

Under our policy of continuous improvement, we reserve the right to change specifications and design without prior notice. The illustrations do not necessarily show the standard version of the machine. Not all products are available in all countries.

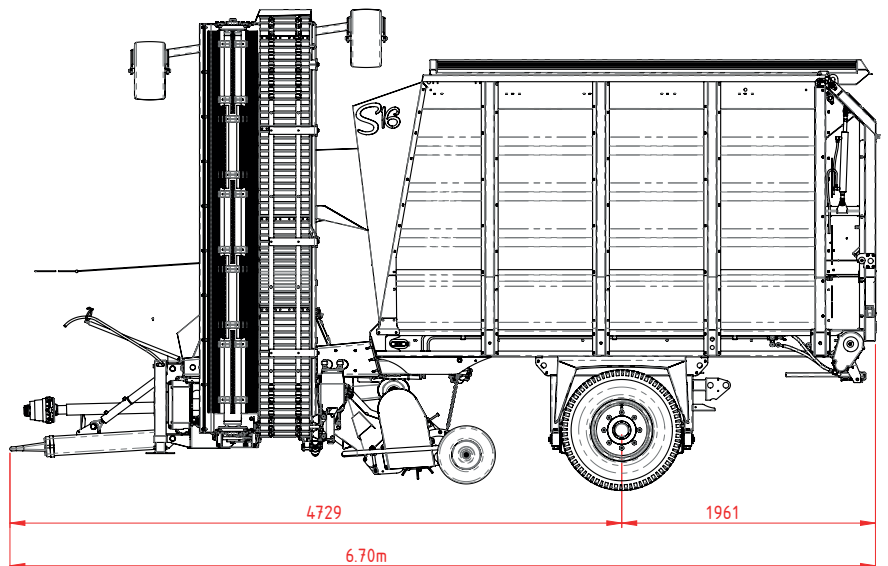
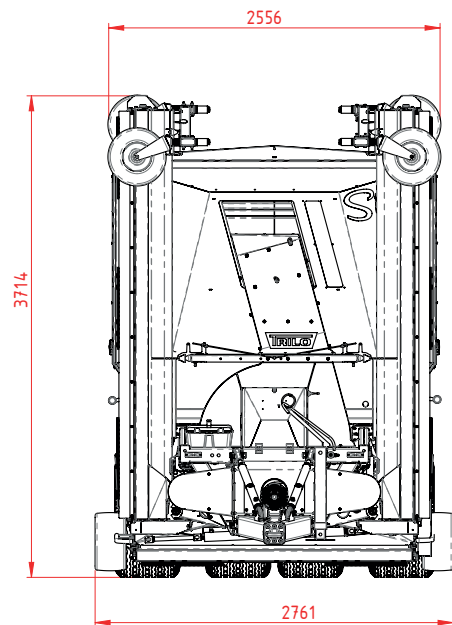


## Large vacuum sweepers with wings S10w - S16w



14 m<sup>3</sup>

Measures are in mm

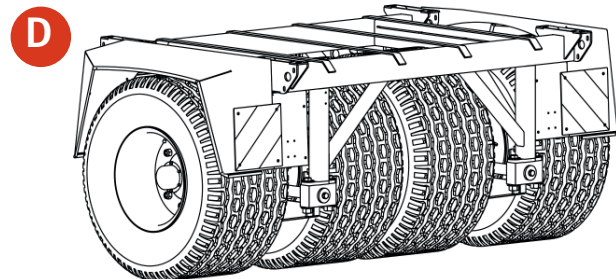
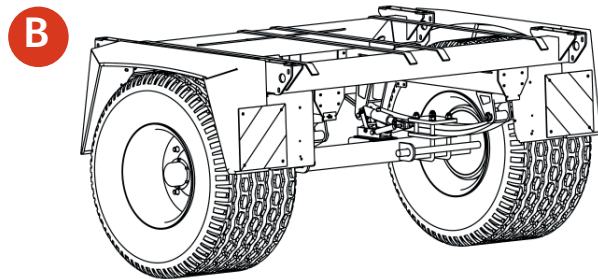
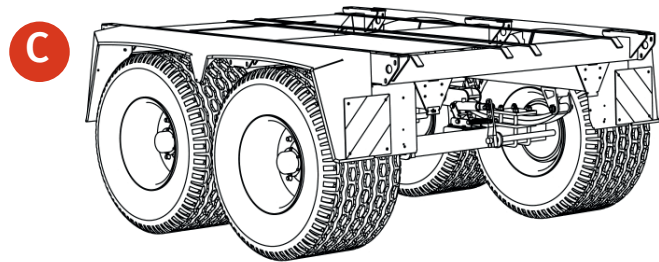
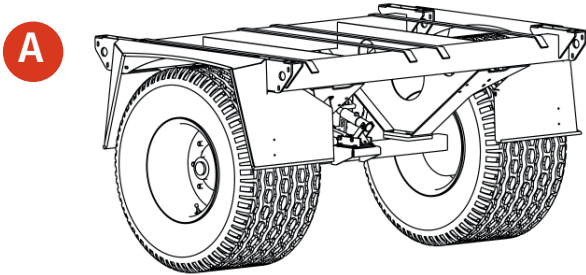


16 m<sup>3</sup>

Measures are in mm

Under our policy of continuous improvement, we reserve the right to change specifications and design without prior notice. The illustrations do not necessarily show the standard version of the machine. Not all products are available in all countries.

## Large vacuum sweepers with wings S10w - S16w



Bogie Type	A	B	C	D
Overall Width	Single 2.00 m	Single 2.30 m	Tandem 2.30 m	Pendling 2.50 m
Parabolic Spring	-	●	●	●
Dual Air Brakes	●	●	●	●
Dual Hydraulic Brakes	●	●	●	●
Single Hydraulic Brakes	●	●	●	●
Overrun Brakes	●	●	-	-
Lawn Tyres 500/50R17	●	●	●	●
Ridemax 500/50R17 Tyres	●	●	●	●
Marathon 435/50R19 Tyres	●	●	●	-
<b>Available on model:</b>				
S8	●	●	-	-
S10	●	●	●	●
S12	-	●	●	●
S14	-	●	-	●
S16	-	-	●	●
S20	-	-	●	●