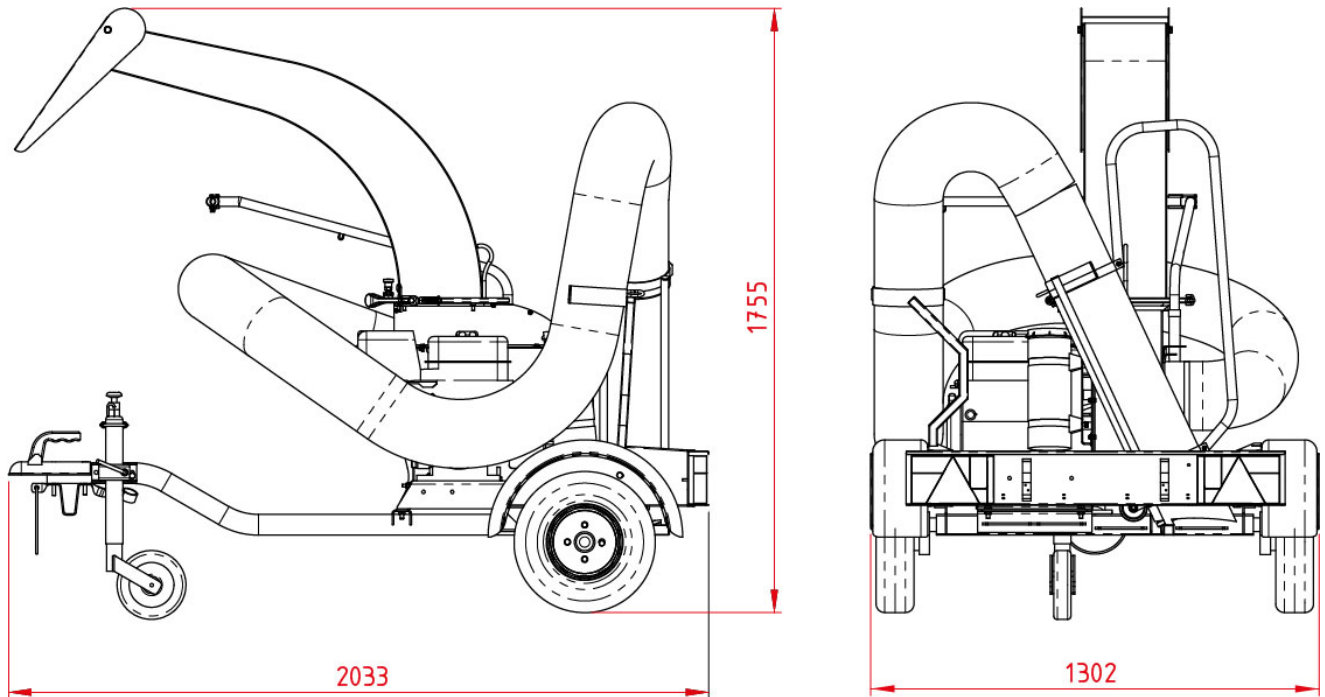


TRILO[®]

SU40 Debris Loader



Measures are in mm

Technical specifications

Fan diameter:	Ø 400 mm (15.7")
Number of fan blades:	4
Drive:	fan belt
Weight:	275 kg (567 lb)
Measurements (LxWxH):	2,03 x 1,3 x 1,75 m (6.66 x 4.26 x 5.74 ft)
Engine:	Honda GXV340 (recoil)
Driving speed:	80 km/h (50 mph)
Air capacity:	180 m ³ /min.
Noise level:	106 dB(A)
Wander hose:	Ø 200 mm with 5 meter radius
Tyres:	4.80 x 4.00-8
Transport dimensions:	385 kg (849 lb) LxBxH: 209 x 133 x 176cm

Under our policy of continuous improvement, we reserve the right to change specifications and design without prior notice. The illustrations do not necessarily show the standard version of the machine. Not all products are available in all countries.

Vanmac BV / Astronaut 40 / 3824MJ Amersfoort / The Netherlands / Tel: (+31) (0)33 456 45 50 / E-mail: info@trilo.com / www.trilo.com