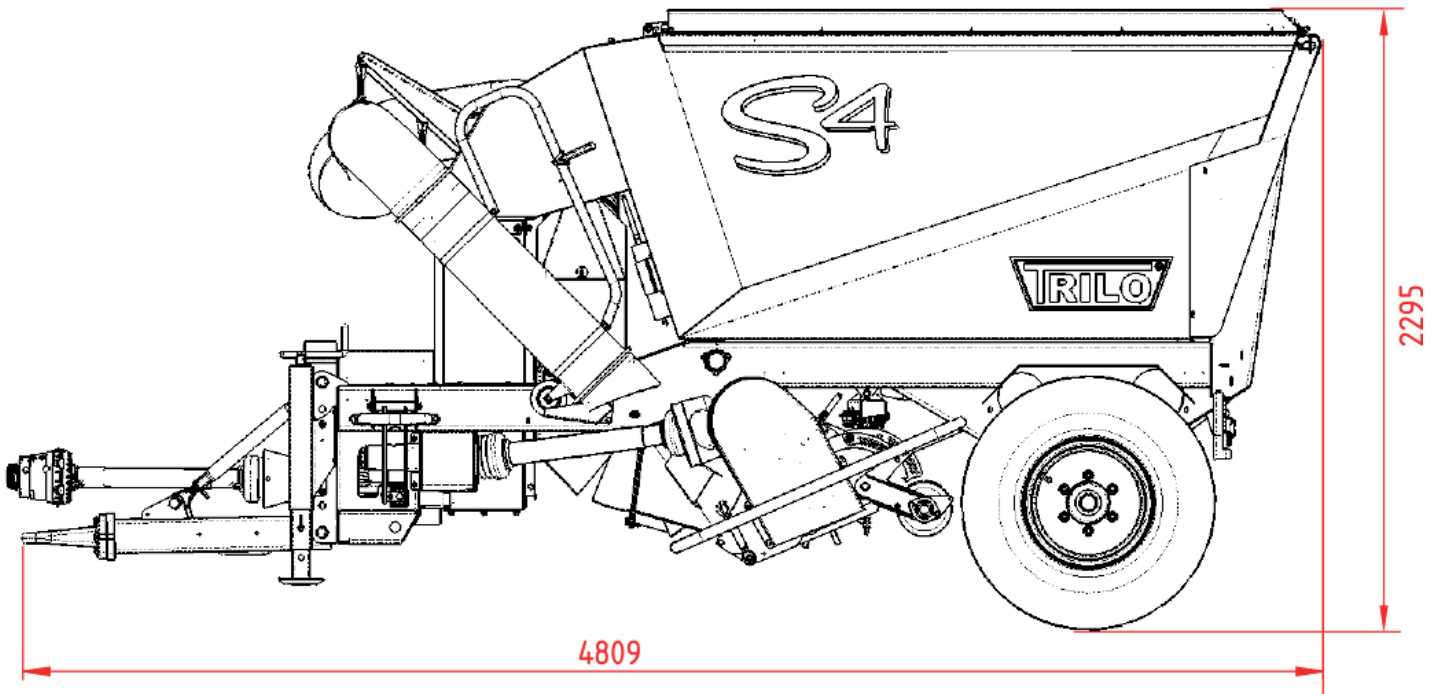


TRILO

S4-M4-C4 Vacuum sweepers



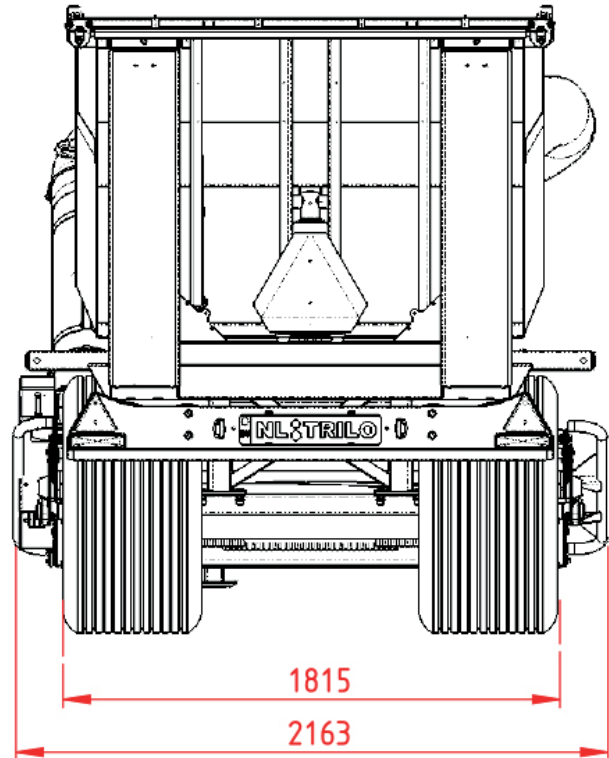
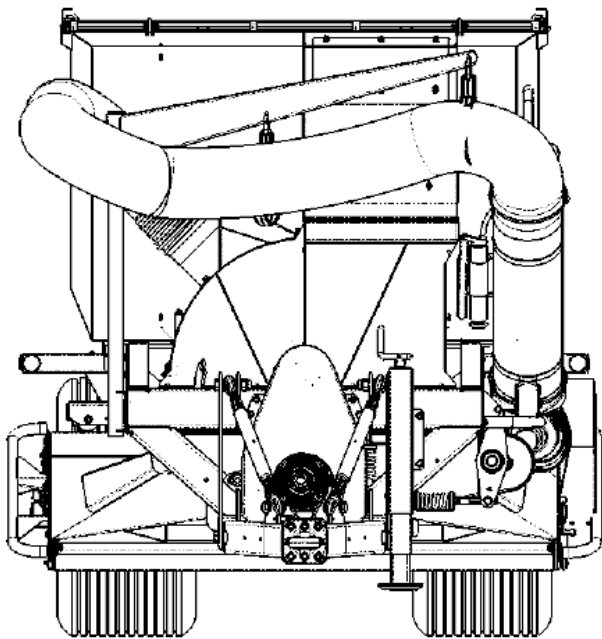
Technical specifications

Fan diameter:	Ø 850 mm
Number of fan blades:	4
PTO output (<i>cut & collect</i>):	70 - 90 hp (51 - 66 kW)
PTO output (<i>sweep & collect</i>):	45 - 70 hp (33 - 51 kW)
PTO output (<i>with a wanderhose</i>):	35 - 50 hp (26 - 36 kW)
PTO:	540 / 1000 RPM
Drive:	Power take-off
Required hydraulics:	180 bar - 40 l/min.
Required hydraulic connections:	1 x double acting
Air capacity:	315 m ³ /min.
Noise level:	84 dB(A)
Loading capacity:	4 m ³
Wander hose:	Ø 250 mm, length 5 + 1 meter (<i>Optional</i>)
Working width sweeping:	1,8 / 2,1 / 2,4 m
Working width cut & collect:	1,8 / 2,1
Tyres:	500/50R17

Under our policy of continuous improvement, we reserve the right to change specifications and design without prior notice. The illustrations do not necessarily show the standard version of the machine.

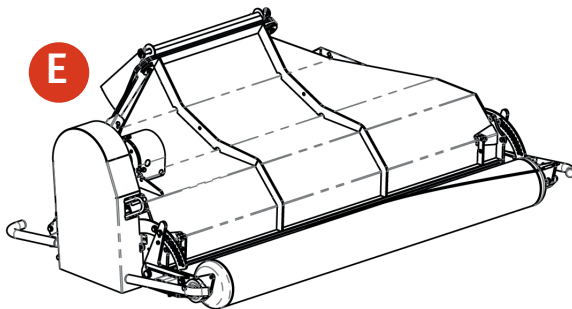
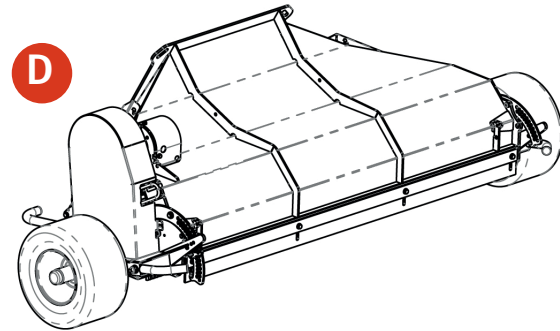
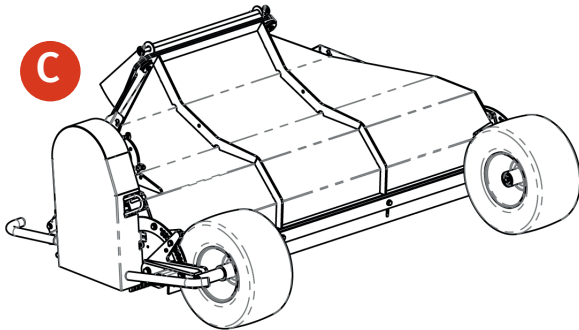
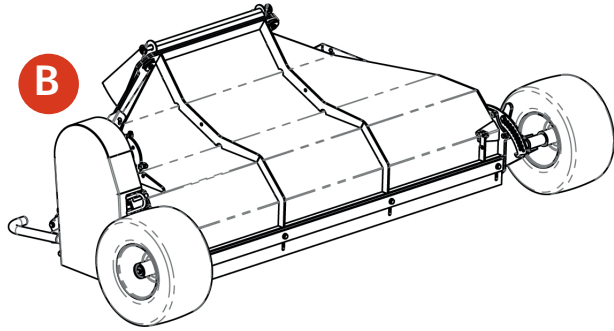
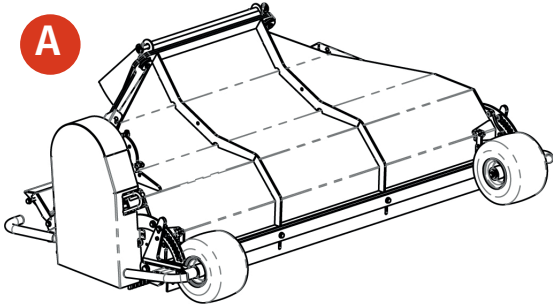
TRILO

S4-M4-C4 Vacuum sweepers



Under our policy of continuous improvement, we reserve the right to change specifications and design without prior notice. The illustrations do not necessarily show the standard version of the machine.

Suction hood width



Type	Roller/Tyre	Tyre Type	Height range	Working width - Overall width				Field of application
				1.80 m	2.10 m	2.40 m	3.00 m	
A	11 x 7.00 (Default)	Air or Foam Filled Tyre	-5..13 cm	2.12 m	2.42 m	2.72 m	x	General, Road use, Offroad, Compact
B	18 x 9.50 (Slick)	Air or Foam Filled Tyre	-5..15 cm	2.46 m	2.76 m	3.06 m	x	Turf Production Wide Area Collector
C	16 x 9.50 (Slick)	Air or Foam Filled Tyre	-5..15 cm	x	x	2.72 m	x	Turf Production Wide Area Collector
D	16 x 9.50	Air or Foam Filled Tyre	-5..10 cm	2.70 m	3.00 m	3.30 m	x	Golf course
E	Roller (Default)	Steel	-5..15 cm	2.12 m	2.42 m	2.72 m	x	Mowing