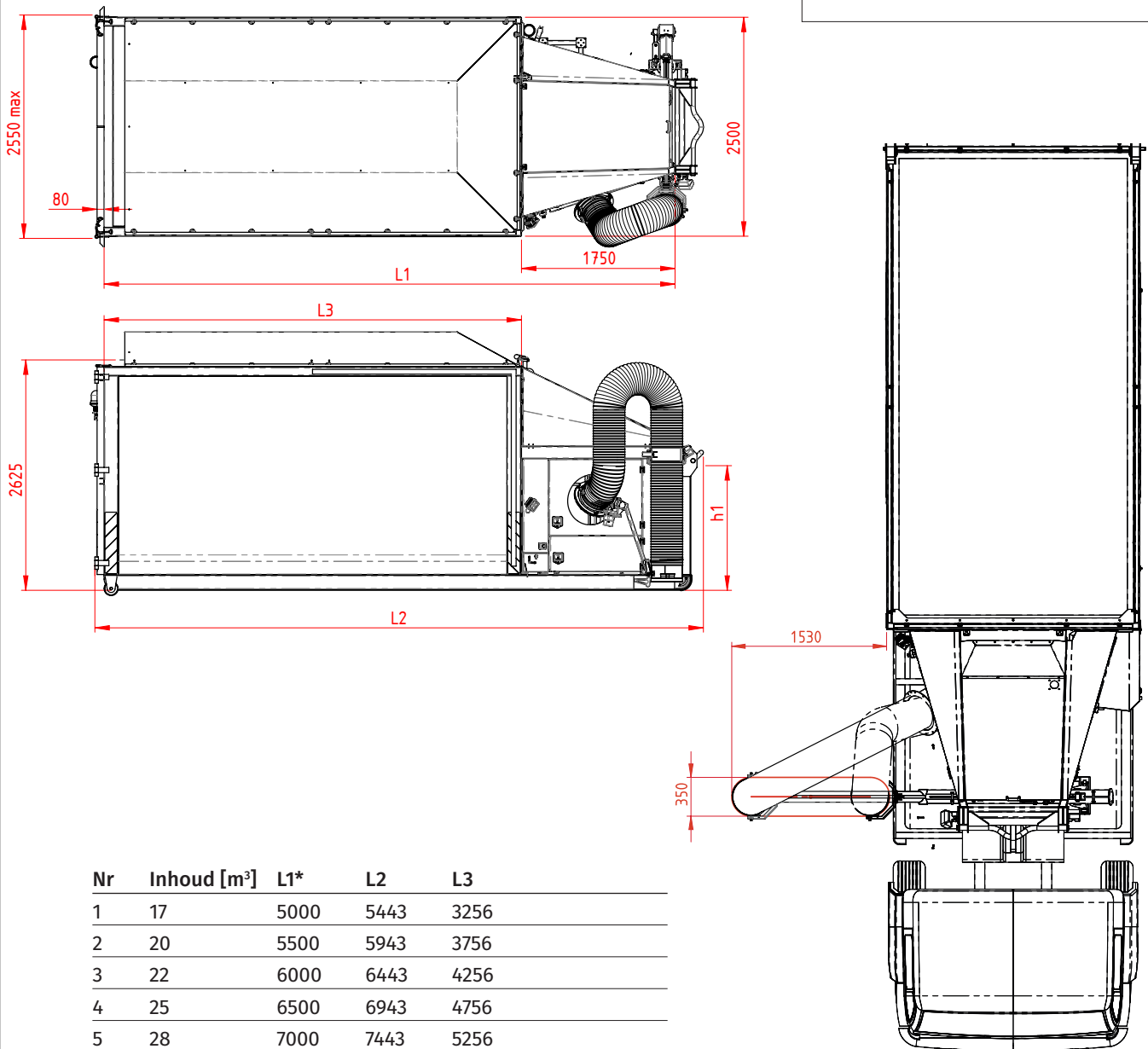


PROPRIETARY AND CONFIDENTIAL  
Any reproduction in part or as a whole without  
the written permission on VANMAC BV is prohibited.



Nr	Inhoud [m <sup>3</sup> ]	L1*	L2	L3
1	17	5000	5443	3256
2	20	5500	5943	3756
3	22	6000	6443	4256
4	25	6500	6943	4756
5	28	7000	7443	5256

\* DIN afmetingen (DIN 30722)

**Mobiel grote hoeveelheden bladafval en restafval verzamelen**

**Aandrijving:** 4-Cylinder Hatz dieselmotor (Stage 5)

**Verkrijgbare laadvolumes:** 17, 20, 22, 25, 28 m<sup>3</sup>.

**Zuigslang:** Ø 350 mm, lengte 4 m

**Bediening:** Radiografisch

**Bevestiging op voertuig:** haaklift- en kabellift systeem

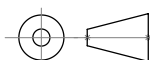
Vanmac BV  
Astronaut 40  
3824 MJ AMERSFOORT  
the Netherlands

Remove welding spatter  
Sheet metal unscratched  
Debur / Break sharp edges

Tolerances unless stated:  
ISO 2768-mK  
Precision Casting:  
ISO 8062-3 DCTG-8  
Sheet-Metal Bending:  
ISO 2768-cL

**DO NOT SCALE DRAWING**

**TS** Zuigcontainers



20 - 20 - 2019